

A Miniature World Of Difference

#174



FEDERAL VICTORIAN HOUSE
Scale Model House Kit #KW174

HOFCO HOUSE, INC.
1 Council Drive
P. O. Box 103
Woodsboro, MD 21798

THE SCIENCE OF HOFCO HOUSE

Congratulations! You have purchased today's most advanced architecturally designed house kit available. Since 1977 HOFCO HOUSE has engineered and perfected the finest scale model houses. Our success is directly attributed to satisfying the precise needs and dreams of our customers. Our advanced innovations easily create a realistic and intriguing miniature heirloom that you and future generations will cherish forever.

HOFCO HOUSE delights in hearing from you. Please send us pictures of your completed house to record in the "HOFCO HOUSE HALL OF FAME".

HOFCO HOUSE, INC. WARRANTY

HOFCO HOUSE GUARANTEES ALL THEIR PRODUCTS! Every part must meet our high standards of quality before leaving our plant. Our research and development team scans the world market for the finest materials available. Sometimes a substitution is necessary. Any substitution of components will be of equal or better quality.

ASSEMBLY INSTRUCTIONS:

1 - Parts List with approximate measurements:

Identify location of parts by matching letters or numbers on photos, diagrams, and figures. To aid in identification, letters or names of parts are stamped on some of the parts. Quantity is indicated in "()" parenthesis. If quantity of part is not listed, only one of the part is included.

Example: Below in the first item "A" on the figures locates the Assembled Foundation & First Floor. There is only one part 15 7/8 x 31 1/2, but there are two parts "B" Side Walls 3/8 x 15 1/2 x 20 5/8.

As all measurements are given in inches, the sign ("") for inches has been omitted for ease in reading the numbers in the following listing.

- | | |
|--|---|
| A Assembled Foundation & First Floor
15 7/8 x 31 1/2 | G Second Floor Partition |
| A1 Assembled Porch Foundation
5 1/2 x 11 5/8 Front Top Angled | G1 3/8 x 9 5/8 x 5 11/16 |
| B Side Walls
(2) 3/8 x 15 1/2 x 20 5/8 | G2 3/8 x 9 5/8 x 9 1/2 |
| C Second Floor
3/8 x 15 1/2 x 31 | G3 (2) 3/8 x 9 5/8 x 15 1/2 |
| D Attic Floor
3/8 x 15 1/2 x 31 | H Attic Floor Partition
(2) 3/8 x 9 5/8 x 15 1/2 |
| E Rear Wall
1/4 x 20 3/16 x 31 3/4 | I Attic Floor Back Wall
1/4 x 9 13/16 x 31 3/4 |
| F First Floor Partition
(2) 3/8 x 9 5/8 x 15 1/2 | J Attic Floor Side Roof
(2) 1/4 x 9 1/4 x 16 1/4 |
| | K Attic Floor Front Roof
1/4 x 9 1/4 x 31 3/4 |
| | L Roof Top
1/4 x 13 1/2 x 26 3/4 |

KW174 Federal Victorian House

- M Porch Floor
3/8 x 5 1/2 x 12
- N Porch Roof
3/4 x 6 1/8 x 13 1/4
- O Small Front Wall
3/8 x 10 x 20 1/4
- P Large Front Wall
3/8 x 21 5/8 x 20 1/4
- Q Lower Roof Molding
- Q1 3/4 x 1 1/4 x 17 1/8 Left
- Q2 3/4 x 1 1/4 x 17 1/8 Right
- Q3 3/4 x 1 1/4 x 33 1/4
- R Upper Roof Molding
- R1 3/4 x 1 1/4 x 14 3/4 Left
- R2 3/4 x 1 1/4 x 14 3/4 Right
- R3 3/4 x 1 1/4 x 28 3/4
- S Dormers with Caps
(2)
- * * * * * TRIMS * * * * ***
- A Right & Left Side Wall Trim
- A1 (2) 3/16 x 5/8 x 14 7/16
- A2 (4) 3/16 x 5/8 x 20 7/16
- B Small & Front Wall Hinge Area Trim
- B1 (2) 3/16 x 3/8 x 20 3/8
- B2 (2) 3/16 x 5/8 x 20 3/8
- C First Floor Porch Trim
- C1 (2) 3/16 x 3/8 x 3 1/4
- C2 (2) 3/16 x 3/8 x 5 1/2
- D First Floor Porch Wall Trim
(2) 3/16 x 5/8 x 9 1/4
- E Porch Roof Support Trim
3/16 x 7/16 x 10 1/2
- F Second Floor Porch Wall Trim
(2) 3/16 x 5/8 x 9 1/8
- G Upper Front Wall Trim
- G1 3/16 x 5/8 x 9 9/16
- G2 3/16 x 5/8 x 21 1/4
- H Attic Front Roof Hinge Area Trim
- H1 1/8 x 3/4 x 26 3/16
- H2 1/4 x 3/4 x 26 3/16
- I Attic Floor Side Roof Rear Trim
(2) 3/16 x 5/8 x 9
- J Attic Floor Side & Front Corner Trim
(4) 3/16 x 5/8 x 9 3/8
- K Bathroom Partition Trim
- K1 3/16 x 3/8 x 9 1/2
- K2 3/16 x 5/8 x 9 5/8
- L Porch Steps
1 1/2 x 6
- M Porch Post (2)
Porch Post Bases (4)
- 1 Second Floor Spacer Newel Post
3/8 x 3/8 x 3 1/2
- 2 Second Floor Newel Post
3/8 x 3/8 x 3 1/2
- 3 Attic Floor Spacer Newel Post
3/8 x 3/8 x 3 1/2
- 4 Attic Floor Newel Post
(2) 3/8 x 3/8 x 3 1/2
- 5 First Floor Porch Newel Post
(4) 3/8 x 3/8 x 3 3/4
- 6 Second Floor Porch Newel Post
(4) 3/8 x 3/8 x 3 1/2
- 7 Interior Second Floor Rail
2 3/4 x 6 3/4
- 8 Short Attic Floor Rail
2 3/4 x 3
- 9 Long Attic Floor Rail
2 3/4 x 6
- First Floor Porch Rail
- 10 (2) 2 3/4 x 2 3/8
- 11 (2) 2 3/4 x 4 1/4
- Second Floor Porch Rail
- 11 (2) 2 3/4 x 4 1/4
- 12 2 3/4 x 10 3/4
- Extra Trim Part
(2)
- Left Hand Stairway
- Right Hand Stairway
- Stairway Rail
(2)
- Front Door
- French Door
- Victorian Window
(4)
- Colonial Window
(2)
- Hinge
(11)
- Magnetic Catch
(2)
- Door Knob
(3)
- Nail Bag
- Sandpaper
- House Deed
- Federal Victorian Kit Instructions
- SUPPLIES and TOOLS NEEDED**
- Hammer
- Screwdriver
- Small Nail-set or punch
- Ruler and Square
- Pencil
- Standard Wood Putty
- Standard Woodworking Glue
- Silicone Rubber (Optional)
- Paper Towels
- Razor Knife

For your convenience a list of optional items you may wish to purchase separately for your house is shown. The HOFECO HOUSE Product number and amount needed is listed as well as the size of the area to cover.

- 1- Clapboard siding to cover about 1200 square inches....18 pieces HOFECO HOUSE C1204.
- 2- Roof shingles to cover about 550 square inches.....2 bags HOFECO HOUSE C1304/C1306
- 3- Interior flooring for all three floors about 1450 square inches....5 1/2 packs HOFECO HOUSE C1231 Walnut, C1232 Oak, C1233 Pine, or C1234 Cherry flooring.
- 4- Seven HOFECO HOUSE interior doors C2041 with "Expandable Jamb".
- 5- Wallpaper.....to avoid piecing 3 sheets are recommended for each room.
- 6- Lighting...count the number of light bulbs not fixtures you wish for proper size ki
- 7- Painting...look around the older areas of your town for ideas and then visit your miniature dealer or local paint center for color charts.
- 8- Please review other optional ideas on our "Time Saver Assembly Tips" sheet.

2 - General Directions:

Please read through each assembly direction and examine the corresponding photos and figures thoroughly before applying glue or nailing. This allows you to become familiar with the construction techniques.

Apply glue moderately to all parts to be joined together including those that are nailed. Nail wherever you think necessary. Always keep nails straight! Don't worry about any exposed nails in your house. After the glue has dried, punch the exposed nails out! Glue alone will secure the two parts. The main function of the nails is to hold the two parts together while the glue dries.

Read the "Time Saver Assembly and Decorating tips for the Customized Home" before beginning the basic construction. You will save yourself time and money in later improvements. Assemble your house in the order suggested for a professional collectors item. Have patience and your efforts will be forever rewarded. Thank you again for buying a HOFECO HOUSE product.

Sincerely,
Robert C. Holweck, President
Robert C. Holweck, President

* * * HOFECO HOUSE REPLACEMENT POLICY * * *

HOFECO HOUSE GUARANTEES all their parts! We will replace any part at no charge regardless of the problem. Do NOT contact your dealer! Write or call HOFECO HOUSE Customer Service direct. Please have the following information available:

- 1 - Kit Name and Number....._____
- 2 - Replacement part name and number....._____
- 3 - Reason for replacement: () Missing () Damaged
() Accidentally Broken () Warped Beyond Useability
- 4 - Your name, address, and phone number: _____

Mail to: HOFECO HOUSE, INC. Phone Numbers: Continental USA..1-800-638-2069
 1 Council Drive Maryland.....1-800-233-9834
 P. O. Box 103 Other Areas.....1-301-898-7834
 Woodsboro, MD 21798-0103

3 - Assembled Foundation & First Floor/Assembled Porch Foundation - Parts A & A1

Photos - #1, #2, #3, #4, & #5 / Figure #4

Note: You will find the word FRONT stamped to the correct position for the foundations. This means it is the front of the house.

A-Center the porch foundation on the front face of the assembled foundation & first floor.

B-Generously glue, square & nail through porch foundation into assembled foundation using 1" paneling nails. Countersink these nail deep, because the foundation itself is 3/4" thick.

4 - Side Walls - Part B Photos - #6, #7, & #8 / Figure #1 & #3

Note: Temporarily set all pieces in place before applying glue to become familiar with instructions.

A-IMPORTANT! Place the grooved side of wall at the top & facing the interior floor area for future installation of the lower roof moldings.

B-Place side walls on foundation butting at the side edge of first floor and the front & back edge of first floor. Glue, square & nail.

5 - Second Floor - Part C Photos - #9, #10, & #11 / Figure #2 & #5

Note: Examine layout of first floor. The second and attic floors are laid the same way. It is most important to keep floor aligned properly to assure a square house. Temporarily lay floors in place before installing.

A-Place partitions against each house wall. The partition will serve as temporary support and a height gauge.

B-Examine second floor figure to make sure the stairway opening is installed in the proper location. This is very important!

C-Mark on outside of side wall where the nails will hit the center of the floor and start your 1" nails.

D-Apply glue to all contacting edges.

E-Place second floor with stairway opening somewhat towards the right side (from front of house). Stairway opening in floor should measure about 2 3/4" from the rear and about 6 1/8" from the front of the house.

F-Nail floor in place.

6 - Attic Floor - Part D Photos - #12, #13, & #14 / Figure #2 & #5

A-Install attic floor with the same procedures used for the second floor.

7 - Rear Wall - Part E Photos - #15, #16, & #17 / Figure #3

Note: This wall will "square" your house. Make sure walls are even.

A-Temporarily place partition as shown in photo #15. They will serve as a temporary support and height gauge.

B-Place rear wall on foundation butting at the side edge of first floor and even with the side walls. The rear wall will end in the center of attic floor.

C-Apply glue to all contacting edges.

D-Nail with 3/4" nails making sure all areas are even.

8 - Lower Roof Molding - Parts Q1 & Q2 Photos - #18 & #19 / Figure #1 & #3

Note: Set pieces in place before applying glue to become familiar with instructions.

A-Apply glue on top edge of side wall.

B-Place one molding with angle to front and slanting inward.

C-Make the rear flush with back of side wall edge and top of attic floor.

D-Square the side edge of molding with attic floor. Then nail with 1" nails straight down through molding into side walls or floor. Make sure molding is flush with attic floor.

E-Repeat for opposite side.

16 - Porch Roof Support Trim - Part E Photos - #40, #41, & #42

A-Temporarily set porch roof part N on top of the parts D & use your porch post to help support the porch roof.

B-Draw a line under porch roof on the front wall. This is where the part E top side edge is to be. Glue & nail part E in place.

17 - Installing Porch Posts - Parts M Photos - #42, #43, & #44 / Figure #8 & #9

A-Glue base bottom. Position and square posts flush with outer front corners of porch floor. Glue & nail.

18 - Porch Roof - Part N Photos - #43 & #44 / Figure #8 & #9

A-Glue all contacting edges on large front wall and porch posts. No glue should be on small front wall.

B-Nail into support along large front wall.

C-Align porch posts and nail with 1" nails through porch roof into posts. Allow to dry.

19 - First Floor Porch Trim - Parts C1 & C2 / L Photo - #45 / Figure #8 & #9

A-Glue parts C2 to porch sides flush with front edge. No glue should be on small front wall.

B-Nail with 1/2" nails.

C-Use parts C1 to center porch steps part L then glue & nail parts C1 in place.

D-Remove your temporary nails installed in step #13.

20 - Upper Front Wall Trims - Parts G1 & G2 Photos - #46 & #47 / Figure #8 & #9

A-Glue & nail flush with upper edge of front wall. Place smaller trim on small front wall and longer trim on large front wall.

21 - Second Floor Porch Wall Trim - Parts F Photo - #48 / Figure #8 & #9

A-Allow about 1/16" gap where the parts G1, G2, & F trims meet for painting. Glue & nail.

B-Place other F trim butting against part G2. There will be a gap between part F and the porch roof. Glue & nail.

22 - Assembling Bathroom Partitions - Parts G1, G2, K1, & K2

Photos - #49 & #50 / Figure #6 Also Photos - #55, #56, & #57

A-For bathroom partitions it is necessary to assemble both walls including the hinges before placement in house. Place trim K1 on the side edge of partition G1. Generously glue this trim to allow a firm bond for hinges. Nail with 1/2" nails and allow to dry.

B-Place trim K2 on the front side face of partition G2. Generously glue this trim to allow a firm bond for hinges. Nail with 1/2" nails and allow to dry.

C-Place two hinges starting about 3/4" from both ends of partition. Center partition G1 which functions with partition G2 allowing about a 1/16" gap for painting. Punch screw holes with a nail and screw hinges in place.

23 - First Floor Partitions - Parts F Photos - #51 & #52 / Figure #2

Note: Use your square and ruler on all partitions. Stairway partitions should be placed as shown. All other partitions may be placed to meet your individual needs. Nail only if necessary and temporarily set in place.

A-Glue first floor partition to the left of stairway opening with the doorway opening towards the front.

B-Suggested placement of the other first floor partition is about 9" to the left of other first floor partition with doorway towards the rear of house.

24 - Second Floor Partitions - Parts G1, G2, & G3 Photos - #53, #54, #58, & #59

Note: Use your square and ruler on all partitions. Stairway partitions should be placed as shown. All other partitions may be placed to meet your individual needs. Nail only if necessary and temporarily set in place.

24 - Second Floor Partition - Continued

- A-Glue second floor partition part G3 to the right of stairway opening with the doorway towards the front of house.
- B-Suggested placement of the other part G3 partition is about 13 1/2" to the left of the standing G3 partition with doorway towards the front of house.
- C-Set bathroom partitions in place to be familiar with final installation. Glue part G2 in place allowing about 1/16" gap between parts G1 & G3.
- D-Place a heavy object on the attic floor to help hold partitions in place while drying.

25 - Magnetic Catches Photo - #60

- A-Screw catch under second & attic floor towards the left side of large front wall.
- B-Screw plate on the inside of large front wall to line up with magnetic catches.

26 - Attic Floor Back Wall - Part I Photos - #61 & #62 / Figure #3

- A-Place attic floor back wall directly on top of rear wall edge & flush against attic floor.
- B-Glue, square & nail with 3/4" nails into attic floor and lower moldings.

27 - Attic Floor Side Roof - Parts J Photos - #63, #64, & #65 / Figure #1 & #3

- A-Apply glue to all contacting edges.
- B-Place attic floor side roof tightly in the lower molding groove & flush with the attic floor back wall.
- C-Nail through side roof into attic floor back wall.
- D-Make sure the side roof is flush in the lower molding groove.
- E-Repeat for opposite side.

IMPORTANT! Steps 28 & 29 must be completed in one session to enable the parts to set up in the proper position.

28 - Roof Top & Upper Roof Moldings - Parts L, R1, & R2 Photos - #66, #67, #68, #69 & #70
Figure - #1, #2, & #3

- A-Before placing on house...glue and insert roof top into straight groove of moldings R1 & R2.
- B-Glue and place assembled roof top onto attic floor side roof. Moldings and roof top must be flush with attic floor back wall.
- C-Nail into back wall with 3/4" nails
- D-Check R1 & R2 moldings with the R3 molding to make sure they are square.

29 - Attic Floor Partitions - Parts H Photos - #71 & #72
Figure #2

- A-Glue attic floor partition to the right of stairway opening with doorway towards the front.
- B-Suggested placement of the other part H is about 8" to the left of stairway partition with doorway to the front.
- C-Place a heavy object on the roof top to help hold the parts in position while drying. Use part R3 to check if parts R1 & R2 are aligned.

30 - Attic Front Roof Hinge Area Trim - Parts H1 & H2 Photos - #73, #74, #75, & #76
Figure #8, #9, & #10

- A-Glue & nail part H2 trim sliding under top roof into the notches of the partitions.
- B-Generously glue & nail part H1 trim recessed about 1/16" from front edge of roof top. Very important.

31 - Attic Floor Front Roof & Upper Roof Molding - Parts K & R3 Photos - #77 & #78/Fig #2

- A-Apply glue to top edge of attic floor front roof and insert in groove of part R3.
- B-To insure proper angle & alignment lay front roof in place on house and press parts firmly together. Allow to dry.

- 32 - Attic Floor Side Roof Rear Trim - Parts I Photos - #79, #80, & #81/ Fig. #8 & #10
- A-Glue & nail trims flush with back edge of attic floor side roof.
- 33 - Attic Floor Front Roof & Upper Roof Molding - Parts K & R3
- Photos - #82, #83, #84, #85, & #86 / Figure #9
 - A-Position three hinges evenly across the top of the roof molding starting about one inch from each end. Center the middle hinge.
 - B-Punch screw holes with a 1" nail and screw hinges in place.
 - C-Set attic floor front roof on house allowing 1/16" gap between mitered edges of moldings to allow for painting and ease in opening.
 - D-Screw other hinge in place as above. Check for proper alignment.
- 34 - Lower Roof Molding - Part Q3 Photos - #87 & #88 / Figure #8 & #9
- A-Apply glue in groove of molding and press firmly in place.
 - B-Adjust molding to align with the right & left lower roof moldings. Allow to dry.
- 35 - Dormers with Caps - Parts S Photos - #89, #90, #91, #92, & #93 / Figure #8
- A-Lay house on back.
 - B-Glue back edges of dormers and set evenly in place with openings on attic floor front roof. Allow to dry.
 - C-Glue bottom & back edge of caps and place evenly on top of dormers.
- 36 - Attic Floor Side & Front Corner Trims - Parts J
- Photos - #94 & #95 / Figure #8, #9, & #10
 - A-Allow 1/16" gap between side & front corner trim. The gap is on the side of house, glue & nail.
- 37 - Porch Steps - Part L Photo - #96 / Figure #8
- A-Glue porch steps to edge of porch floor.
- 38 - Notching Attic Floor Front Corner Trims - Parts J Photo - #97
- A-Using a razor knife shave or notch the upper back side of the front corner trim. This will allow the front roof to open & clear part R1 & R2.
- 39 - Nail-Setting Photo - #98 & #99
- A-Inset nails with a nail punch.
 - B-Check inside of house for any exposed nails. Punch out and remove any nails that are exposed.
 - C-Fill holes with standard wood putty.
 - D-Sand smooth with sandpaper. Be sure to sand with the grain of the wood.
- 40 - First Floor Porch Rail & Newel Post - Parts 5, 10, & 11 Photos - #100, #101, & #102
- Note: If you use silicone rubber to glue your stairway, railings, windows, or doors, they can be removed easier at a later time without much difficulty to paint or decorate. Silicone rubber is available at most hardware stores.
- A-The photo's show the placement of the railing.
 - B-Glue assembled railing sections in place.
 - C-It is helpful to use masking tape to hold rails in place until dry.
- 41 - Second Floor Porch Rail & Newel Post - Parts 6, 11, & 12
- Photos - #103, #104, & #105
 - A-Use same procedures as in step #40.
- 42 - Stairway Photos - #106 & #107
- Note: It is easier to decorate the interior before the installation of the stairs.
- A-Apply glue to side and bottom of stairway and the edges of top floor.
 - B-Set in place and allow to dry.

43 - Stairway Rail Photos - #108 & #109

A-Glue the bottom of the stairway railing newel post and place the bottom newel post on the house floor. Place the top newel post on the top tread of the stairway. Align the newel post with the side edge of the stairway.

44 - Second Floor Spacer Newel Post/Second Floor Newel Post/Interior Second Floor Rail
Parts - 1, 2, & 7

Photos - #110 & #112

A-Assemble the spacer newel post to the end of part #7.

B-Assemble the newel post to the other end of part #7

C-Glue the spacer newel post to the stairway railing newel post going up to the attic.

45 - Attic Floor Spacer Newel Post/Attic Floor Newel Post/Short & long Attic Floor Rail
Parts - 3, 4, 8, & 9

Photos - #111 & #112

A-Assemble the spacer newel post to the end of part #9.

B-Assemble newel post to both ends of part #8.

C-Glue about stairway opening with the spacer newel post up against the stairway railing newel post.

46 - Windows and Doors Photos - #113 & #114

Note: Paint windows and doors before you glue them in place or glue them with silicone rubber so you can remove them at a future date.

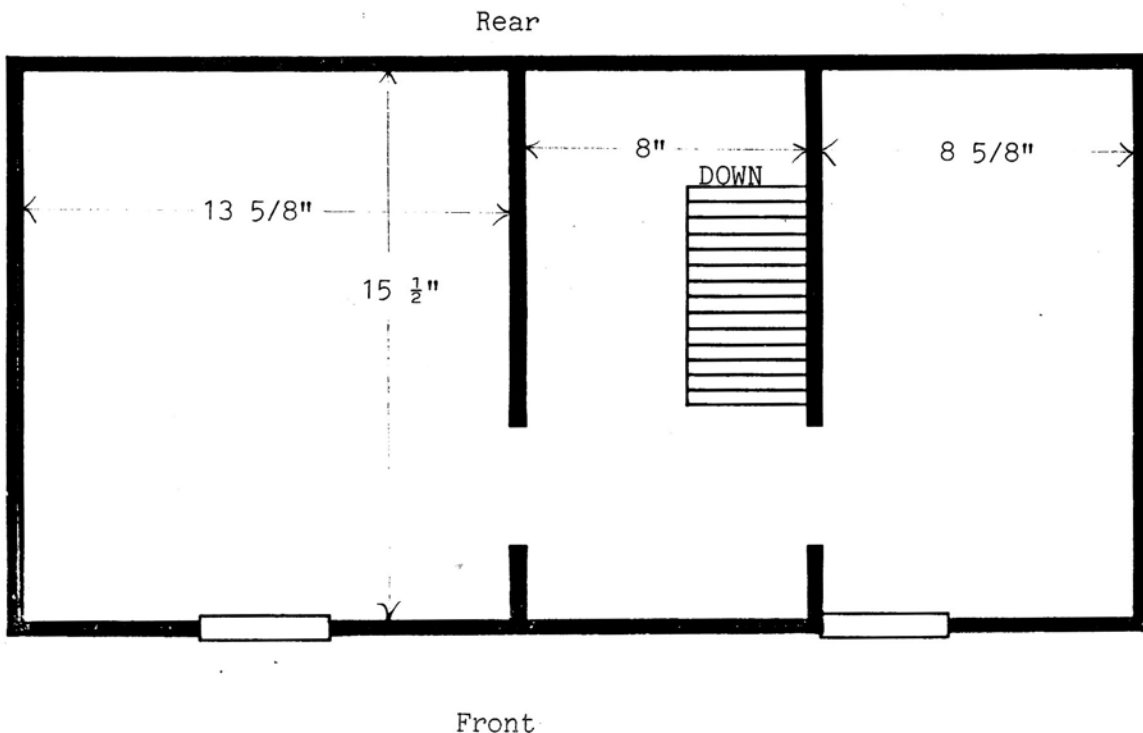
A-Glue lightly the back of the window and door frames, position them in place.

Do not nail. Allow to dry using masking tape or lay house on back and use weights to hold them in place until dry.

B-Read all instructions on the box of windows and doors for more helpful information.

* * Please visit your local Hofco House, Inc. dealer for more information & great ideas * *

Figure #13
Attic Floor



"Time Saver Assembly and Decorating tips for the Customized home."

Siding: Hofco products..C1200 Strips..C1202 to C1205 Sheets. It is easier to install the siding before you install the windows, doors, porch and porch posts. Butt Siding up against trims on house, when you come to a window or door opening bring siding flush to edges then place window or door over the opening. Do not try to cut siding to fit around windows and doors it's too difficult. When siding the porch areas, make sure your trims are in place before you begin. Do siding until you reach the porch roof support trims, then install porch roof and posts and continue assembling your house.

Wiring: Wiring can be started after your house main construction is completed. Plan out how many lights, switches, and wall outlets you are going to use. Make sure your wiring kit is large enough to do the job. Be extremely neat and thorough so that your lights will work for years to come, problems are too difficult to fix once house is decorated. Also, tape wiring does not cover up as easily as it is supposed to. It shows through paints and thin wall papers. Try using thick paint or busy and thicker paper.

Floor coverings: Hofco products..C1231 Walnut, C1232 Oak, C1233 Pine, C1234 Cherry strips. There are numerous types of floor coverings that can be used. Keep in mind that any product you use thickness should be considered and what effect it could have on overall finishing of house. We strongly suggest that you work around such obstacles as porch posts, partitions and stairways.

Wall Papering: Begin wall papering after wiring, ceiling and flooring are finished. Average house room requires 3-4 sheets. Paper over interior doorways then cut out when paper has dried. Cut paper 1/16" smaller on all sides than wall to be covered do to stretching of papers. Trims will hide any areas wall paper does not cover perfectly.

Masonry: Real bricks, slate and stone are available for houses. These products are difficult to work with and messy because of grouting, but can create a home to be admired by everyone. Try it on the foundation area first, then continue on if you don't find it too difficult. Simulated look alikes are available also and look just as good and are easier to apply. Stucco is the best all around decorating tool. With any product you use keep in mind that thickness and weight and the effect it might have on overall finishing of house.

Dustproofing: For rear opening houses use Hofco products C1270 single edge and C1271 double edge brackets. Use Plexi-glass to provide a see-through cover for house. Install brackets first, then have hardware store cut it to your precise measurements.

Painting & Staining: Use regular interior or exterior latex paints. For staining we suggest Min Wax Oil stain. Note: use flat paints because gloss or semi-gloss leaves a sticky looking surface. If using any exterior colors be careful as some outdoor paints do not dry properly indoors. Prime entire house with the same color paint you are using as your finishing coat or a light colored paint. Special primer is not needed. After prime coat has dried, sand lightly until surface is smooth. Make sure house is free of dust before applying finished coat. Do a NEAT job, a sloppy paint job can ruin the effect of your entire house. Use paint chip charts at paint dept. to help you in color selections. As for staining, we suggest that window panes, door panels, stairways and interior rails and interior doors and interior trims be stained. This makes for workable windows and doors and also gives your house an expensive look. Staining can also be used in place of floor products.

Roofing: Hofco Products..C1301 to C1306 Square, Fishscale and Octogon Shingle. C1221 Roof Cap and C1207 and D2521 roof edge trim. There are many different kinds of roofing products available for your house. Cedar Shakes, which are listed above, are easy to use and look great. Cedar shakes can be painted or stained or just natural. Real slate, tin, copper, ceramic tiles and asphalt are also available.

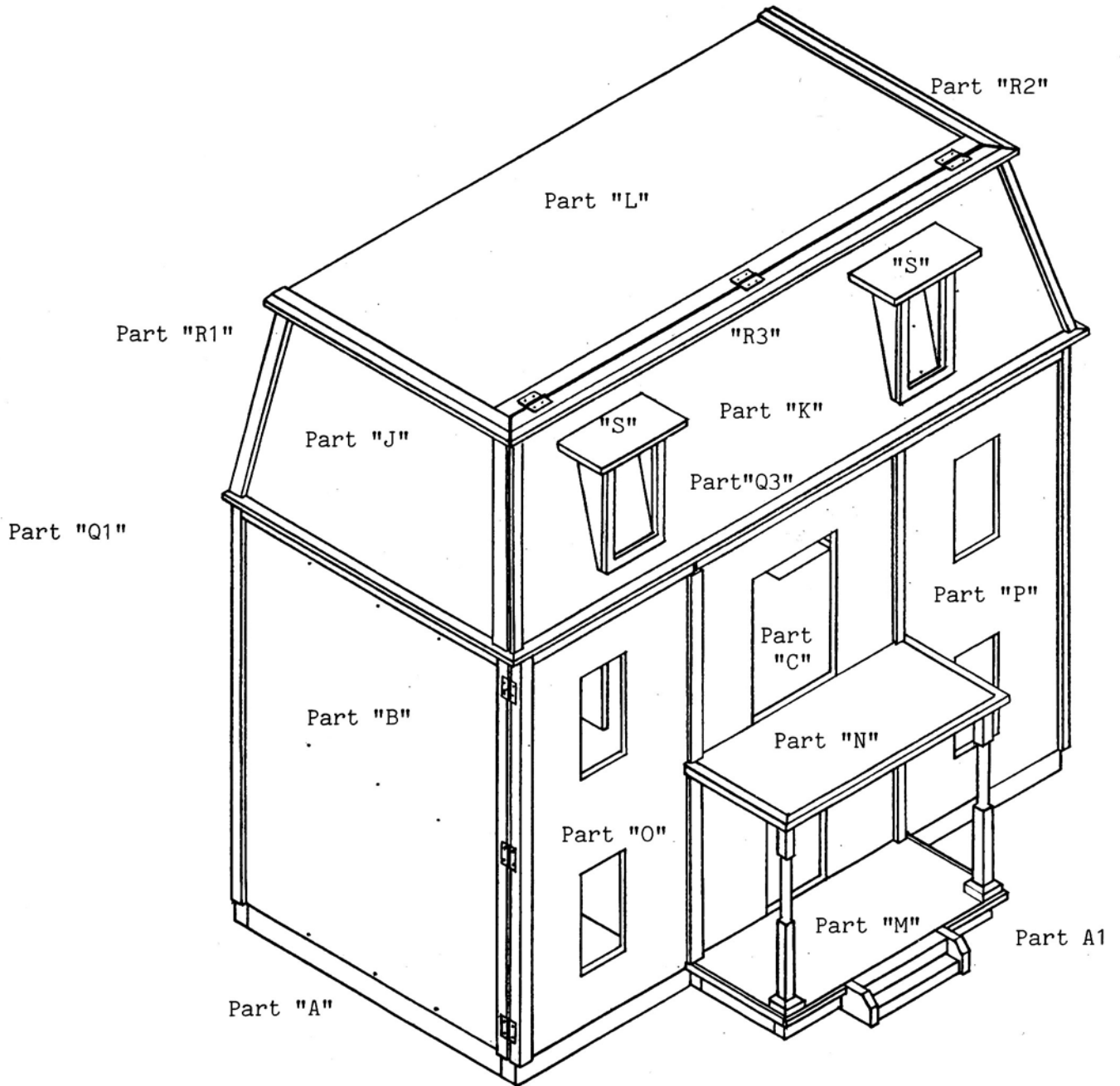
Order of Decoration: 1- Assemble and side house. 2- Install electrical lighting system. 3-Paint, stucco or paper ceilings. 4-Lay and finish hard wood floors and other types. 5- Wall paper walls. 6- Paint or stain all interior trims, stairways and doors and rails then put in place. 7- Shingle after painting if using cedar shakes. Painting of exterior of house can be done any time after siding is completed.

* * * Please visit your favorite dealer for more information & Accessories to complement your house.

Federal Victorian House #KW174

Plywood Parts Placement

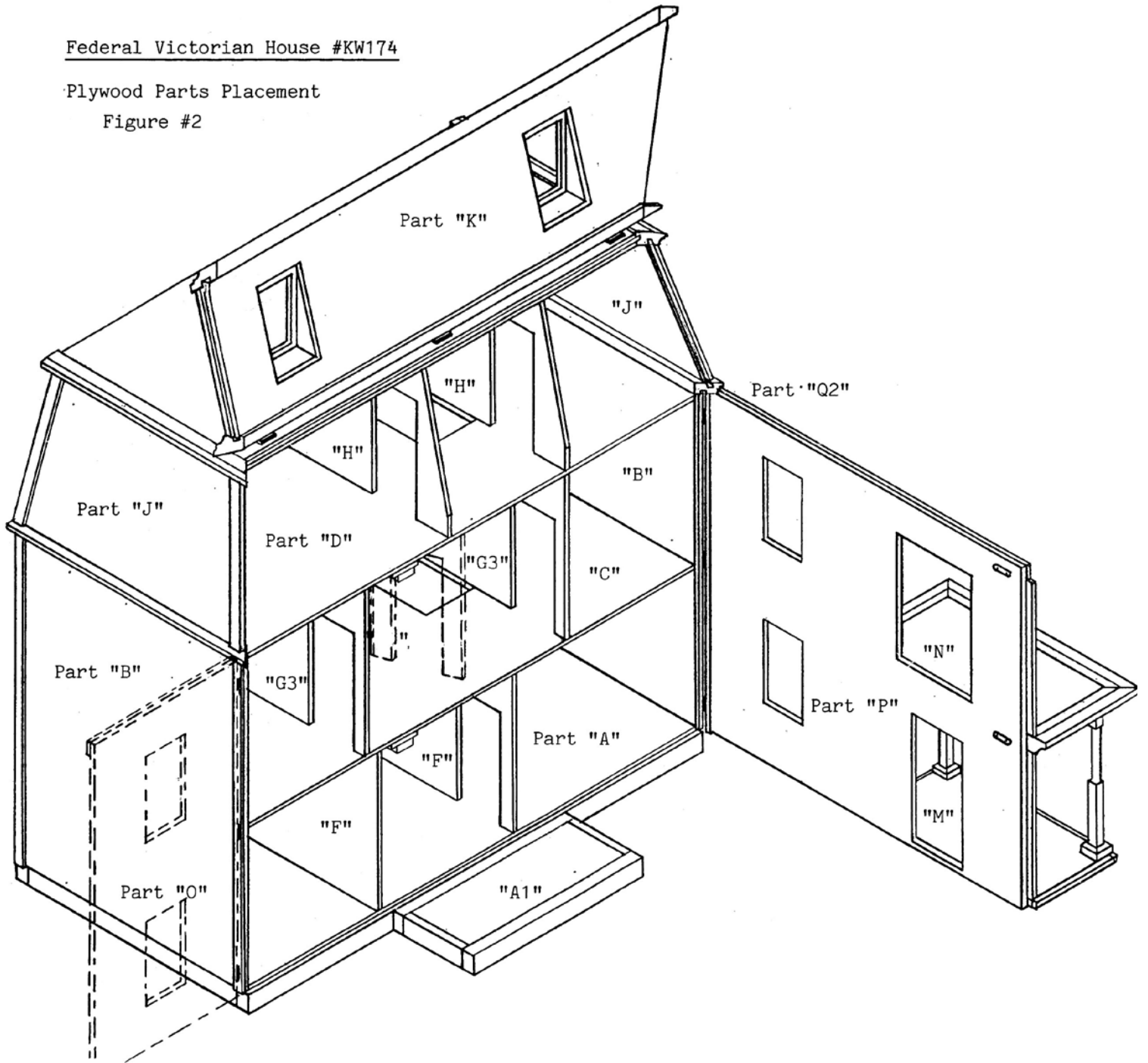
Figure #1



Federal Victorian House #KW174

Plywood Parts Placement

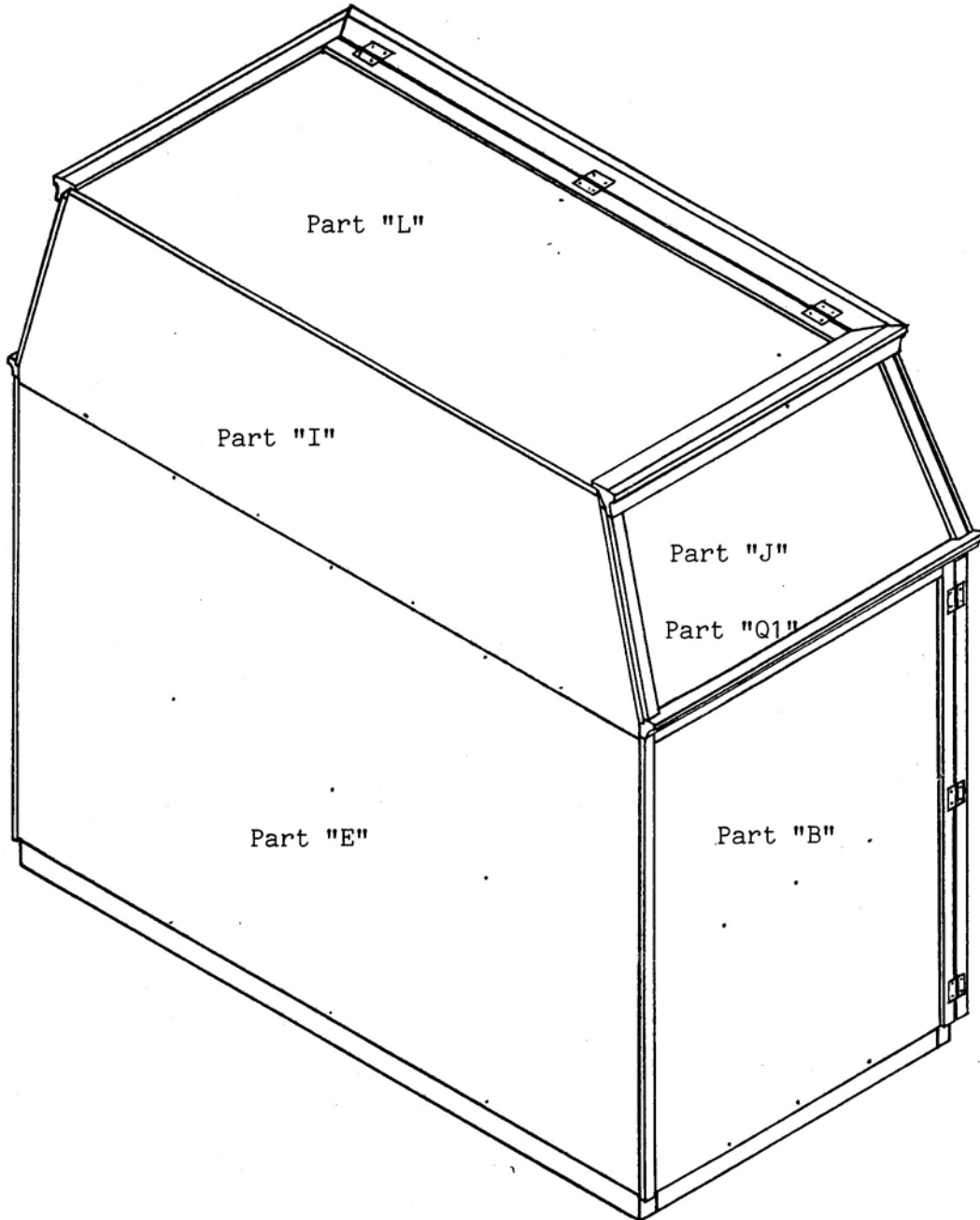
Figure #2

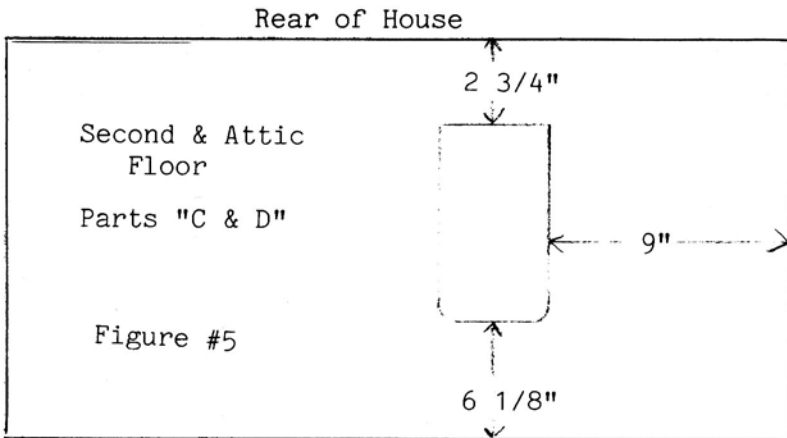
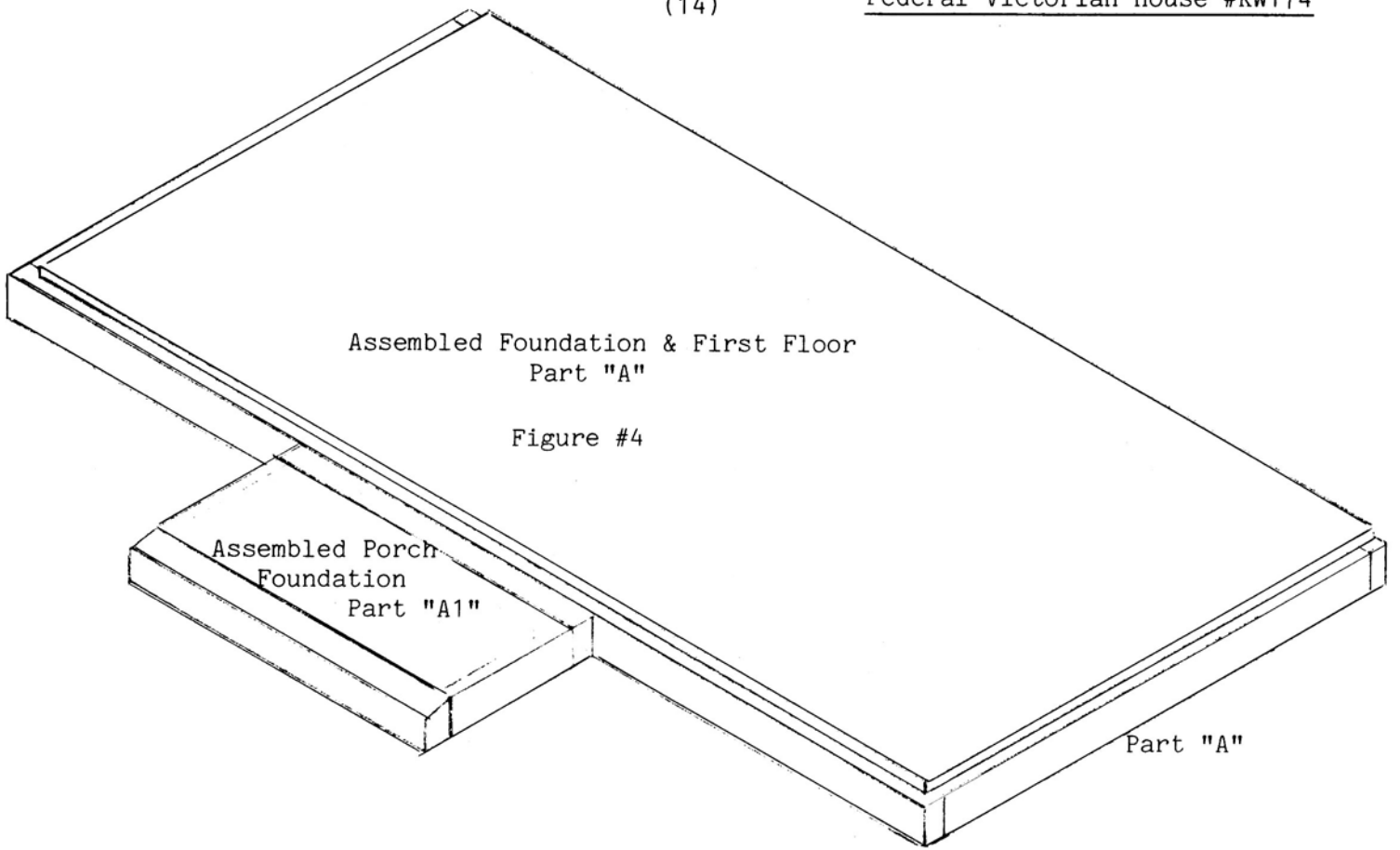


Federal Victorian House #KW174

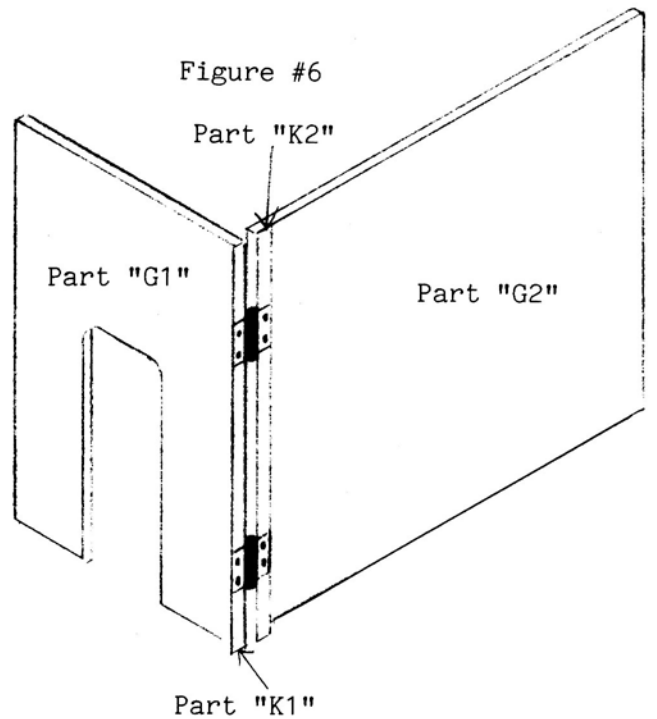
Plywood Parts Placement

Figure #3





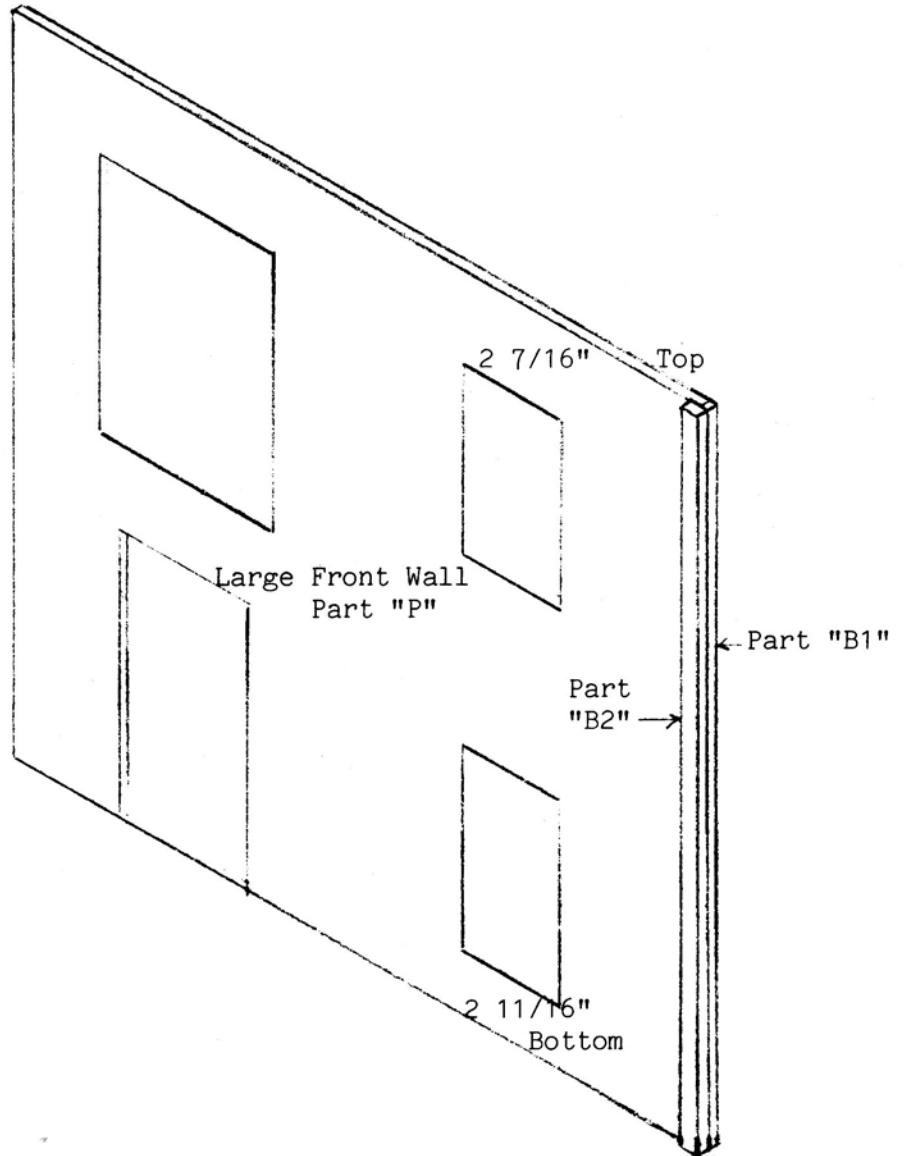
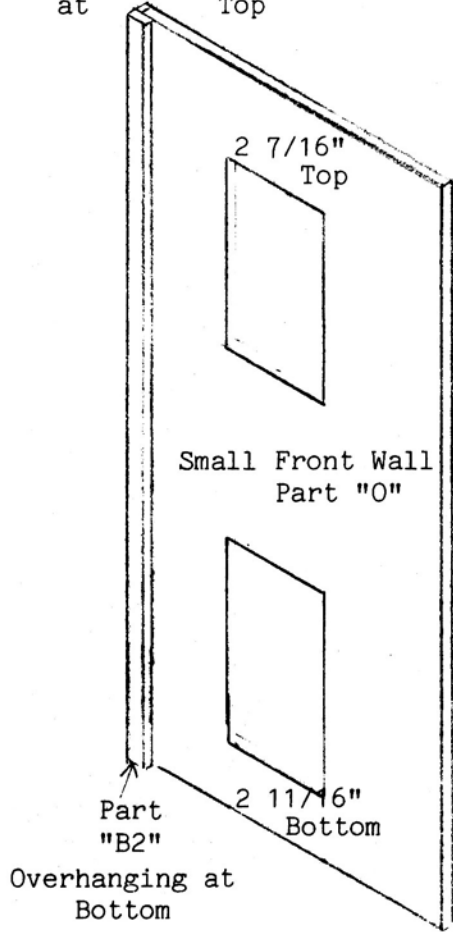
Front of House



Federal Victorian House #KW174

Figure #7

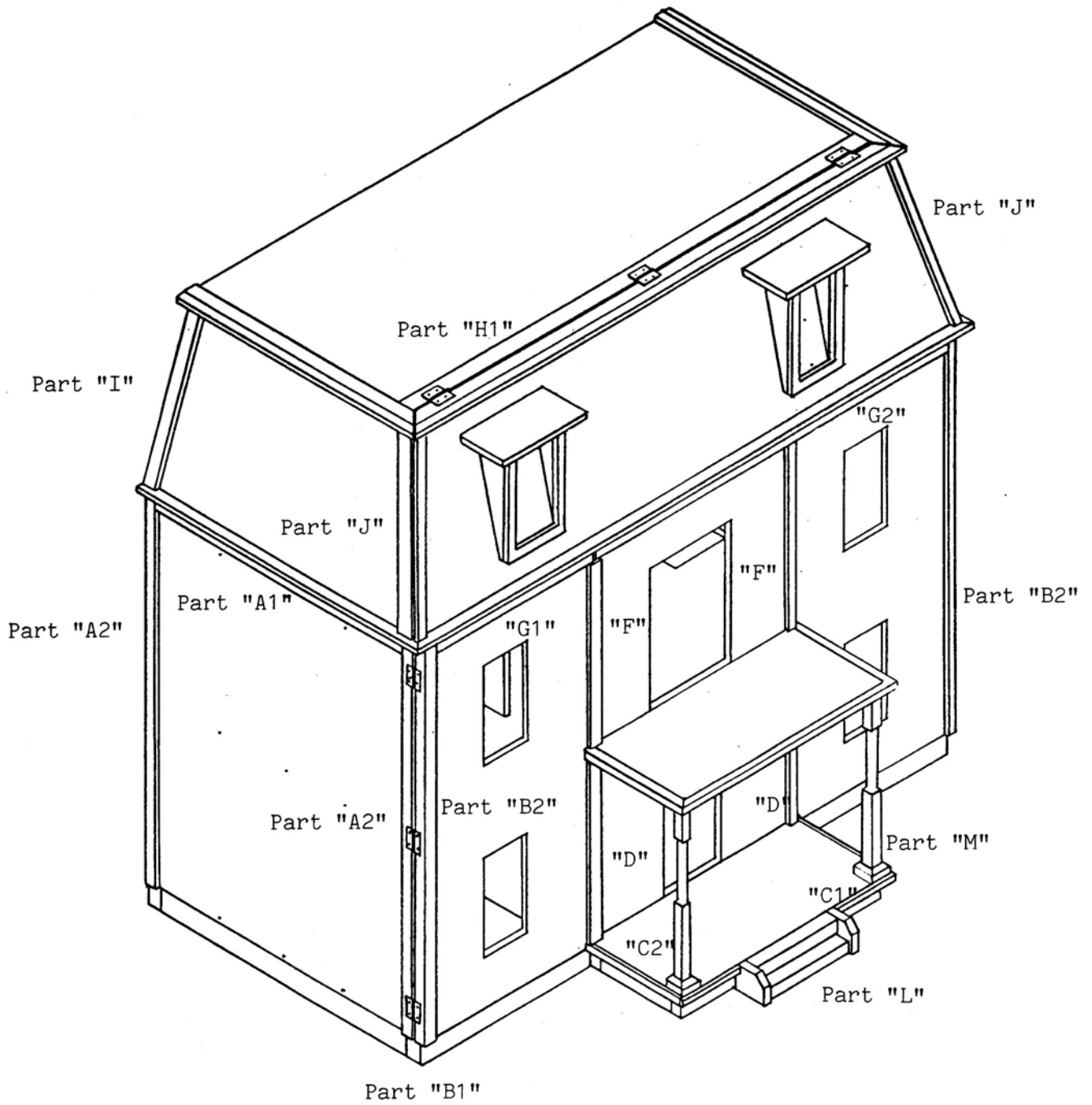
Parts B1 & B2 Flush
at Top



Federal Victorian House #KW174

Trim Parts Placement

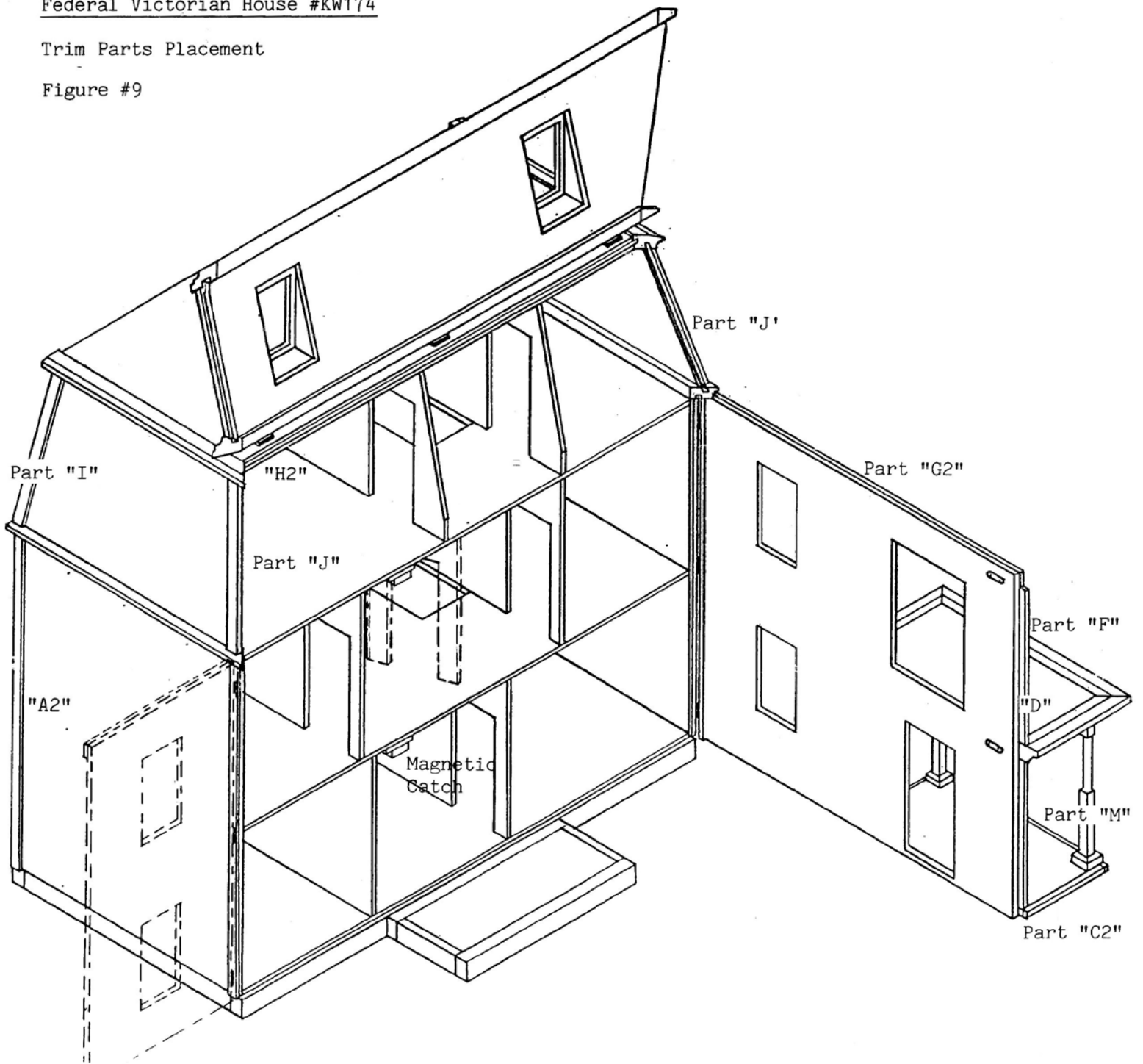
Figure #8



Federal Victorian House #KW174

Trim Parts Placement

Figure #9



Federal Victorian House #KW174

Trim Parts Placement

Figure #10

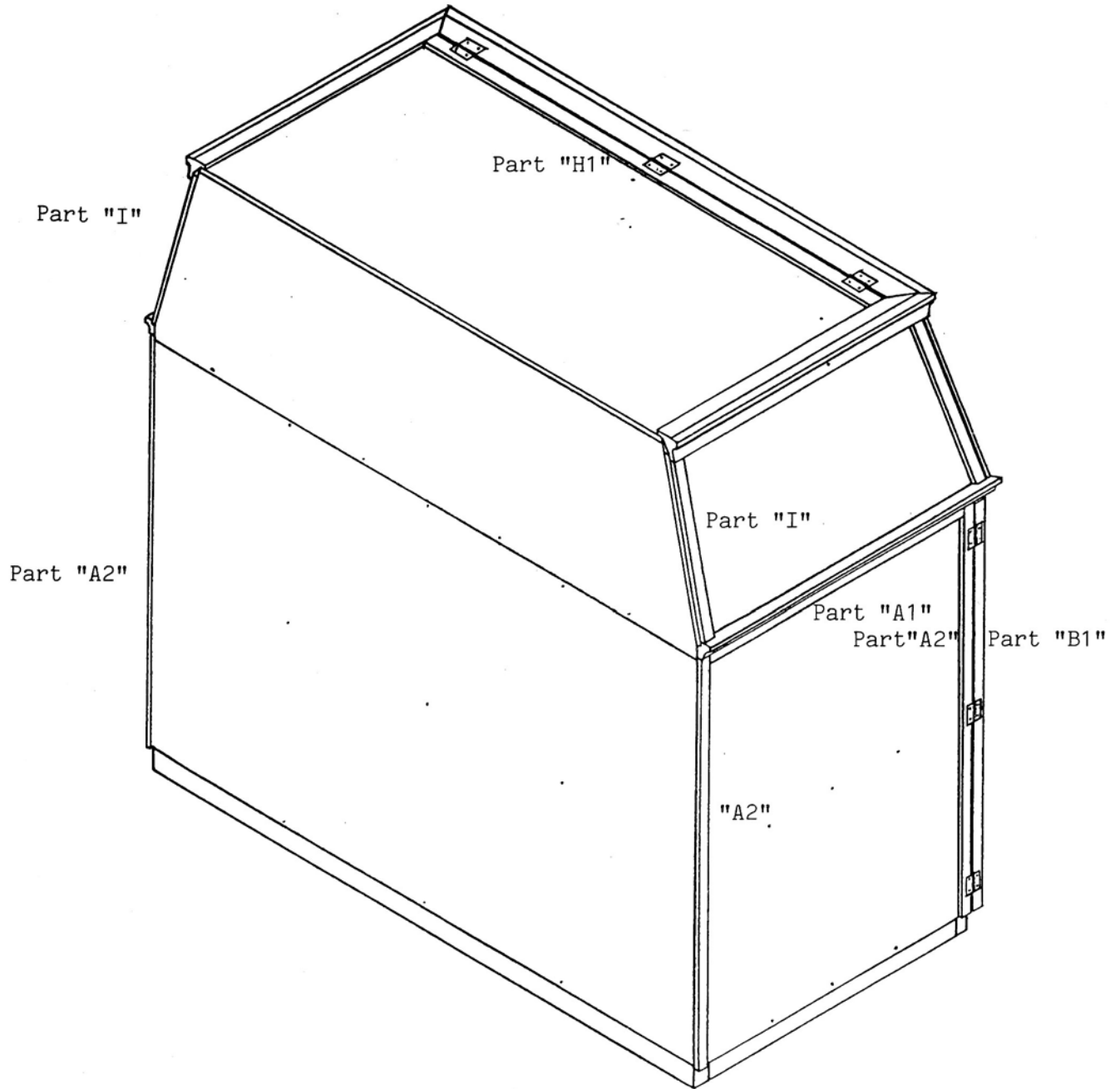
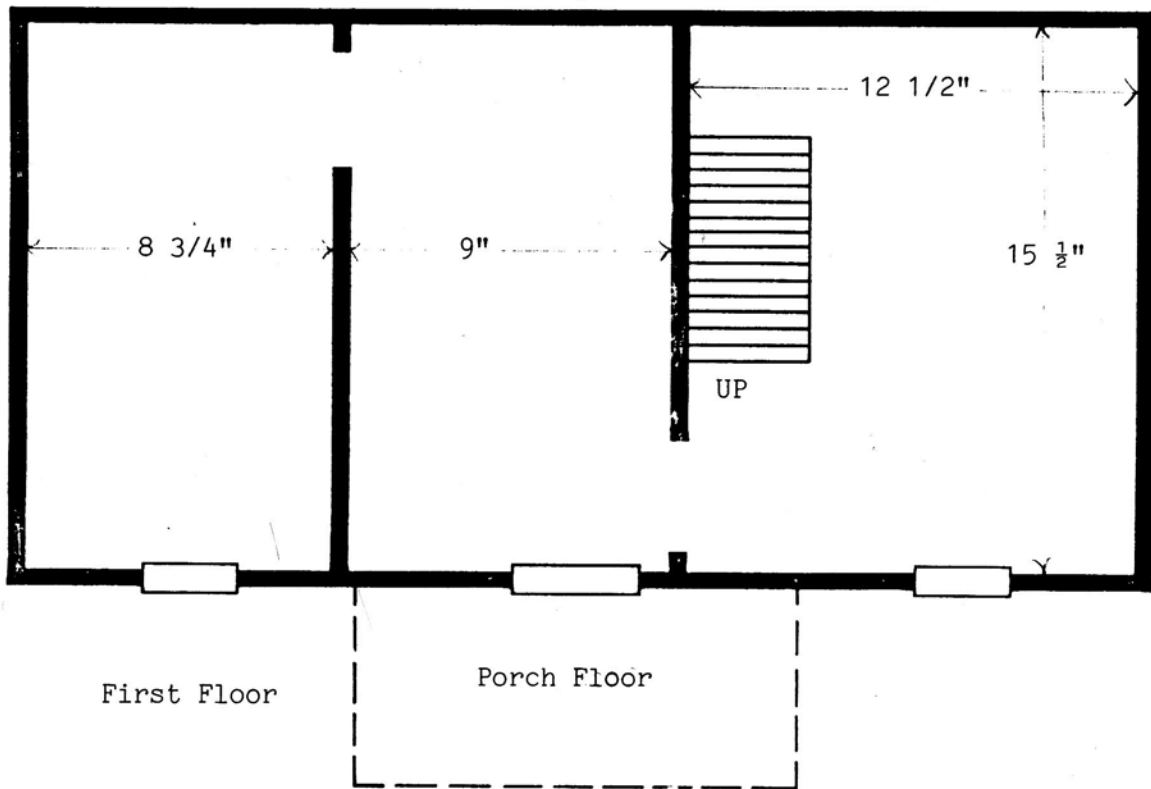


Figure #11
Rear



Rear

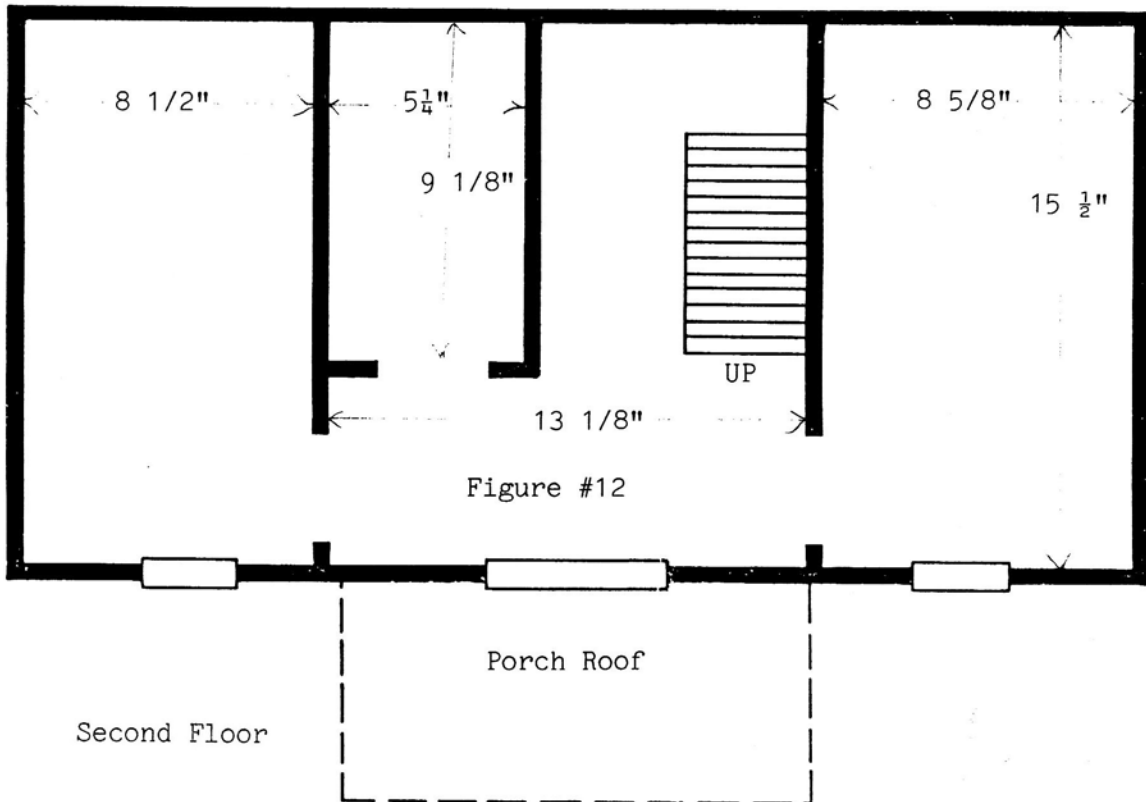


Figure #12

KW174 Federal Victorian House Kit

